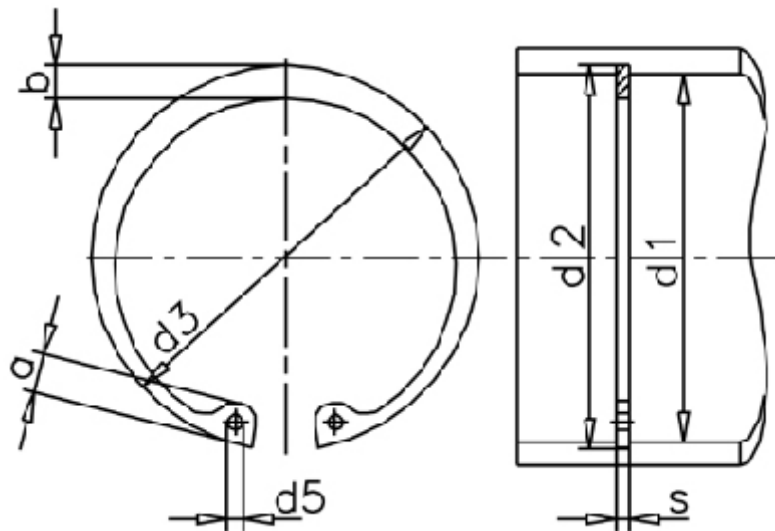


Article number: 0110093

Description: Retaining ring JS 90x4  
Springsteel

## Measures



a max	= 10.0	Description	= JS 90	t	= 1.75
AN mm <sup>2</sup>	= 504	FN kN	= 84.0	tol	= 0.35
B	= 1.78	FRg kN	= 56.0	tol	= +1,30 -0,54
b	= 7.6	FR kN	= 354.0	tol	= -0.10
d1	= 90	g	= 3.0	Tong	= ZGJ-4
d2	= 93.5	m min	= 4.15	Weight kg/1000	= 41.3
d3	= 95.5	Nominal drive	= 5.3		
d5 min	= 3.5	s	= 4.00		